

# AQUAFOS

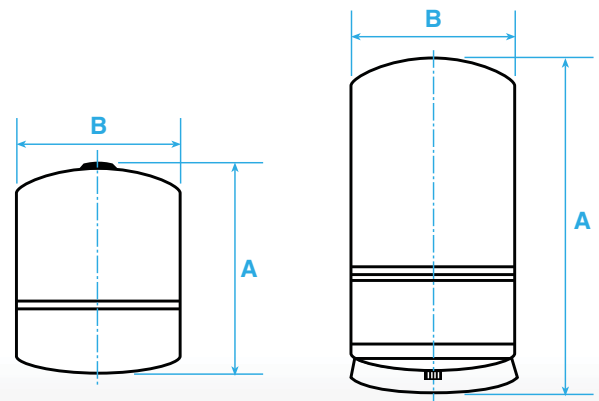
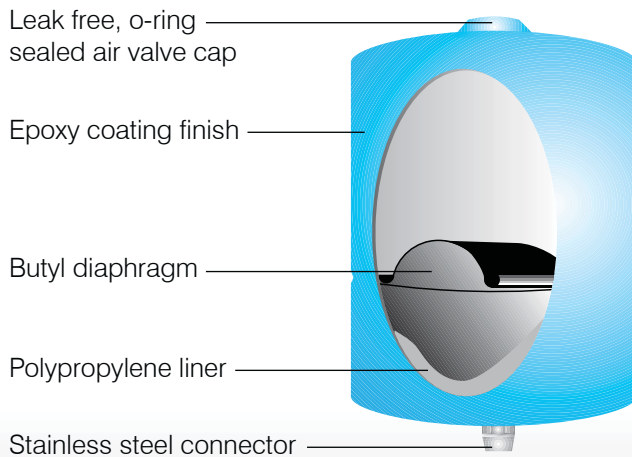
## Pressure Vessels

Aquafos pressure tanks are suited for all water systems: industrial, domestic and agricultural. The tanks are constructed of a polypropylene liner combined with high grade butyl diaphragm to isolate water and air. This provides a closed system for drinking water preventing the growth of bacteria and vermin intrusion. The cast stainless steel water connection is used for corrosion resistance. All tanks are quality tested to ensure the structural integrity of every tank.



**FEATURES:**

- 10 bar (150psi) pressure rating
- NSF Standard 61, IAMPO R&T UPC approved
- Polypropylene liner ensures long durability
- Butyl diaphragm assure long life and safety
- Highly rust resistant durable baked epoxy coating finish
- Cast stainless steel water connection
- Leak free, o-ring sealed air valve cap
- 100% pressure tested
- No maintenance



| Model No                  | Volume |          | Dimensions |        |     |        | Connection | Weight |      |
|---------------------------|--------|----------|------------|--------|-----|--------|------------|--------|------|
|                           |        |          | A          |        | B   |        |            |        |      |
| BSP                       | Litre  | U.S Gal. | mm         | inches | mm  | inches |            | kg     | lbs  |
| SPTB3                     | 3      | .75      | 204        | 8.0    | 140 | 5.5    | 1" BSP     | 1.2    | 2.6  |
| SPTB8                     | 8      | 2        | 300        | 11.7   | 202 | 7.9    | 1" BSP     | 2.5    | 5.5  |
| SPTB18                    | 18     | 4.5      | 380        | 14.8   | 276 | 10.8   | 1" BSP     | 4.2    | 9.3  |
| SPTB24                    | 24     | 6        | 420        | 16.4   | 290 | 11.3   | 1" BSP     | 4.7    | 10.4 |
| Vertical Models with Base |        |          |            |        |     |        |            |        |      |
| SPTB58                    | 58     | 14.5     | 560        | 21.8   | 390 | 15.2   | 1" BSP     | 11.5   | 25.3 |
| SPTB80                    | 80     | 20       | 680        | 26.5   | 390 | 15.2   | 1" BSP     | 13.0   | 28.7 |

• 10 bar (150psi) pressure rating